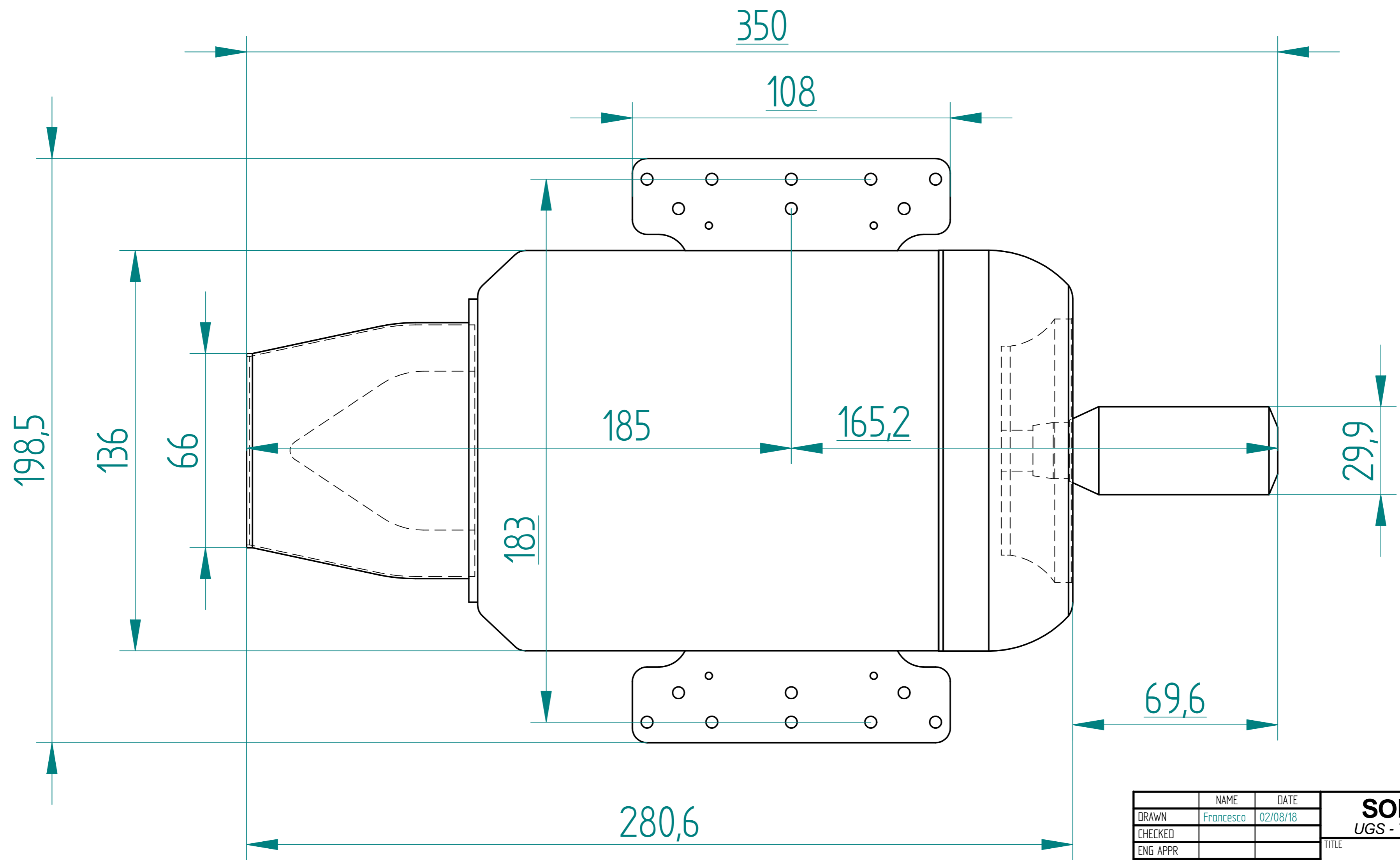


PSYCHO 350 JET-ITALIA TURBINES

| REVISION HISTORY | | | |
|------------------|-------------|------|----------|
| REV | DESCRIPTION | DATE | APPROVED |
| | | | |



| | | | | |
|---|-----------|----------|---|----------------------|
| | NAME | DATE | SOLID EDGE | |
| DRAWN | Francesco | 02/08/18 | UGS - The PLM Company | |
| CHECKED | | | TITLE | |
| ENG APPR | | | | |
| MGR APPR | | | | |
| UNLESS OTHERWISE SPECIFIED DIMENSIONS ARE IN MILLIMETERS ANGLES ±X.X° 2 PL ±XXX 3 PL ±XXXX | | | SIZE A2 | DWG NO |
| | | | FILE NAME: PSYCHO350 DIMENSIONI ESTERNE.dft | REV |
| | | | SCALE: | WEIGHT: SHEET 1 OF 1 |